

Vision High Pressure Fittings

Product Catalog



VISION

| | |
|---|----|
| 10-32 Threaded fittings | |
| <i>One piece fittings</i> | 4 |
| <i>Two piece fittings</i> | 8 |
| <i>Double sided ferrule fittings</i> | 12 |
| <i>X Secure fittings</i> | 16 |
| <i>Ultra high pressure fittings</i> | 21 |
| <i>Double angled fittings</i> | 24 |
| 1/4"-28 Threaded fittings | |
| <i>Flangeless 1/16" fittings</i> | 27 |
| <i>Flangeless 1/8" fittings</i> | 28 |
| <i>High pressure flangeless 1/8" fittings</i> | 29 |
| 5/16"-24 Threaded fittings | 30 |
| Luer adapters | 34 |
| Thread adapters | 38 |
| Unions | 43 |
| Sealing plugs | 47 |

FINGERTIGHT FITTING, STANDARD

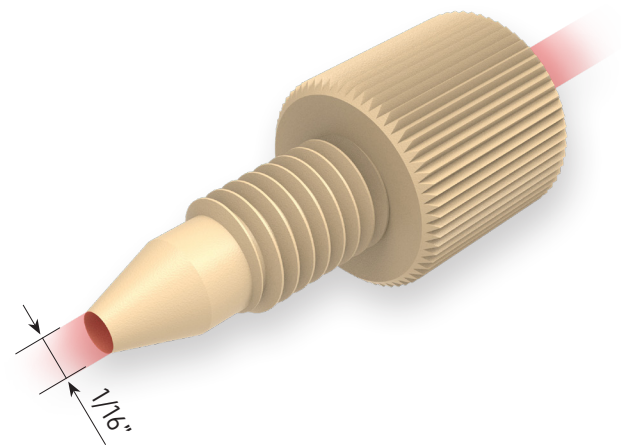
Pressure rating: 345 bar

Material: PEEK, PEEKC, Zx410

Thread: 10-32 UNF

O.D. through: 1/16"

Diameter: 9 mm



| Part number | Description | Packaging |
|-------------|---|-----------|
| VHF-0100 | 10-32 fingertight fitting for 1/16" tubing, PEEK | 10/pk |
| VHF-0104 | 10-32 fingertight fitting for 1/16" tubing, PEEKC | 10/pk |
| VHF-0108 | 10-32 fingertight fitting for 1/16" tubing, Zx410 | 10/pk |



For more information visit
www.visionhpfittings.com

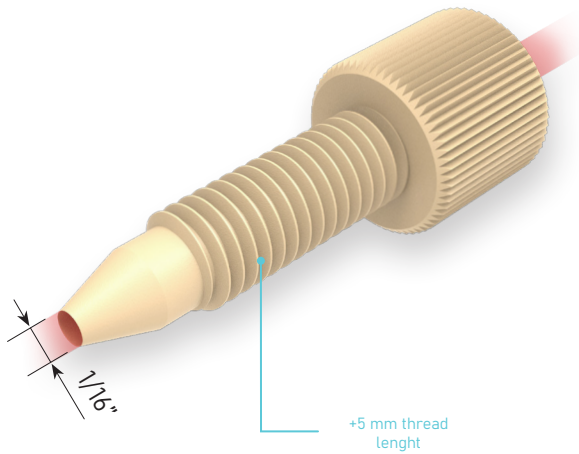
Contact email: info@visionec.hu

HUNGARY,
 H-2132 Göd, Attila str. 13.

10-32 THREADED FITTINGS

FINGERTIGHT FITTING, LONG

Pressure rating: 345 bar
Material: PEEK, PEEKC, Zx410
Thread: 10-32 UNF
O.D. through: 1/16"
Diameter: 9 mm

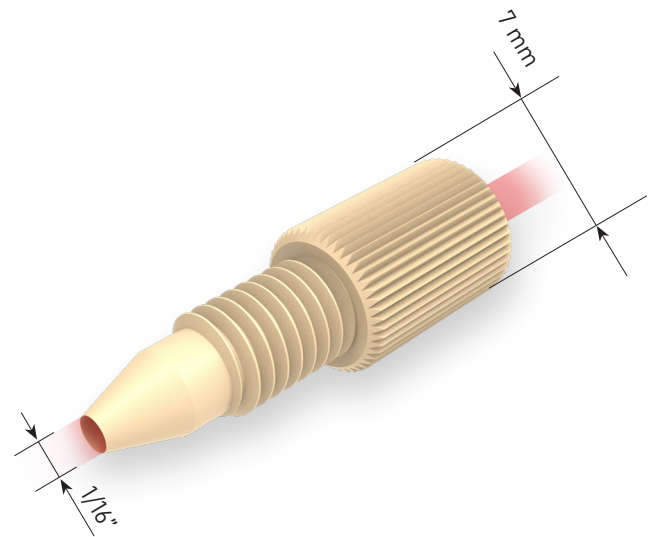


| Part number | Description | Packaging |
|-------------|--|-----------|
| VHF-0101 | 10-32 long fingertight fitting for 1/16" tubing, PEEK | 10/pk |
| VHF-0105 | 10-32 long fingertight fitting for 1/16" tubing, PEEKC | 10/pk |
| VHF-0109 | 10-32 long fingertight fitting for 1/16" tubing, Zx410 | 10/pk |

10-32 THREADED FITTINGS

FINGERTIGHT FITTING, NARROW

Pressure rating: 345 bar
Material: PEEK, PEEKC, Zx410
Thread: UNF 10-32
O.D. through: 1/16"
Diameter: 7 mm

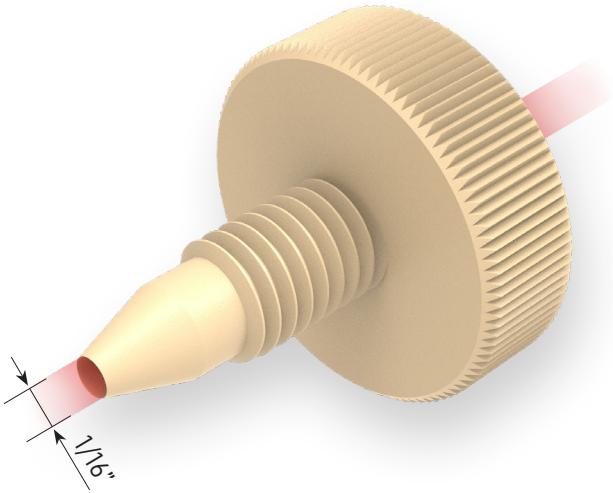


| Part number | Description | Packaging |
|-------------|--|-----------|
| VHF-0102 | 10-32 narrow fingertight fitting for 1/16" tubing, PEEK | 10/pk |
| VHF-0106 | 10-32 narrow fingertight fitting for 1/16" tubing, PEEKC | 10/pk |
| VHF-0110 | 10-32 narrow fingertight fitting for 1/16" tubing, Zx410 | 10/pk |

10-32 THREADED FITTINGS

FINGERTIGHT FITTING, WIDE

Pressure rating: 345 bar
Material: PEEK, PEEKC, Zx410
Thread: UNF 10-32
O.D. through: 1/16"
Diameter: 15 mm

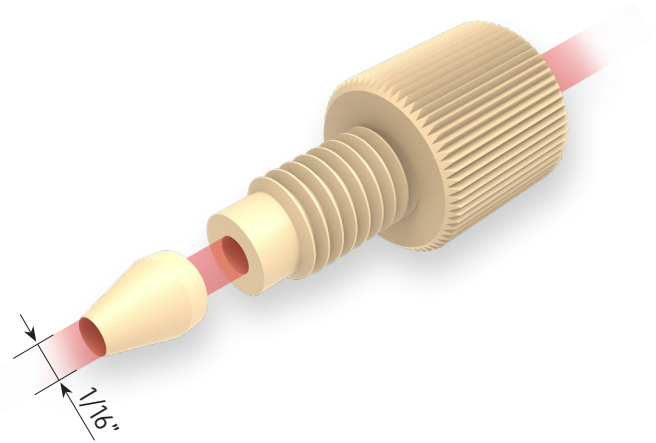


| Part number | Description | Packaging |
|-------------|--|-----------|
| VHF-0103 | 10-32 fingertight wide fitting for 1/16" tubing, PEEK | 10/pk |
| VHF-0107 | 10-32 fingertight wide fitting for 1/16" tubing, PEEKC | 10/pk |
| VHF-0111 | 10-32 fingertight wide fitting for 1/16" tubing, Zx410 | 10/pk |

10-32 THREADED FITTINGS

TWO-PIECE FINGERTIGHT FITTING

Pressure: 345 bar
Material: PEEK
Thread: UNF 10-32
O.D. through: 1/16"
Diameter: 9 mm



| Part number | Description | Packaging |
|-------------|--|-----------|
| VHF-0113 | 10-32 fingertight nut for 1/16" tubing, PEEK | 10/pk |

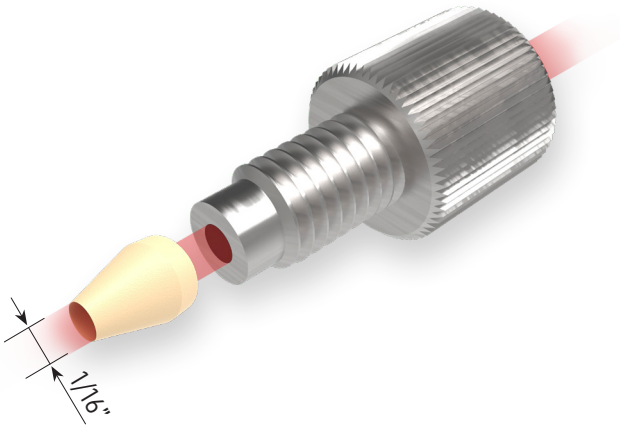
Replacement ferrules:

| Part number | Description | Packaging |
|-------------|---|-----------|
| VHF-0114 | ferrule for 10-32 fingertight fittings (for 1/16" tubing), PEEK | 10/pk |

10-32 THREADED FITTINGS

TWO-PIECE FINGERTIGHT FITTING

Pressure rating: 345 bar
Ferrule Material: PEEK
Nut Material: SS316L
Thread: UNF 10-32
O.D. through: 1/16"
Diameter: 9 mm



| Part number | Description | Packaging |
|-------------|--|-----------|
| VHF-0115 | 10-32 fingertight nut for 1/16" tubing, SS | 10/pk |

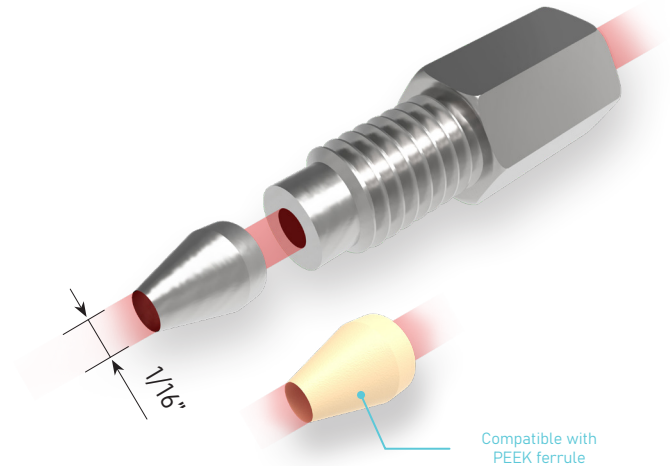
Replacement ferrules:

| Part number | Description | Packaging |
|-------------|---|-----------|
| VHF-0114 | ferrule for 10-32 fingertight fittings (for 1/16" tubing), PEEK | 10/pk |

10-32 THREADED FITTINGS

TWO-PIECE HEX NUT FITTING

Pressure: 345-1000 bar*
Ferrule Material: PEEK, SS316L
Nut Material: SS316L
Thread: UNF 10-32
O.D. through: 1/16"
Wrench size: 6



| Part number | Description | Packaging |
|-------------|--|-----------|
| VHF-0117 | 10-32 hex nut (6mm) fitting for 1/16" tubing, SS | 10/pk |
| VHF-0121 | 10-32 short hex nut (6mm) fitting for 1/16" tubing, SS | 10/pk |

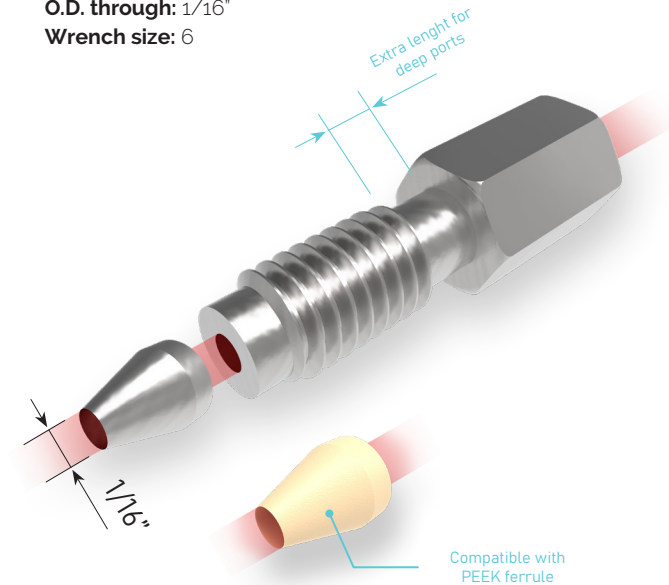
*Replacement ferrules:

| Part number | Description | Packaging |
|-------------|---|-----------|
| VHF-0114 | ferrule for 10-32 fingertight fittings (for 1/16" tubing), PEEK | 10/pk |
| VHF-0116 | ferrule for 10-32 fittings (for 1/16" tubing), SS | 10/pk |

10-32 THREADED FITTINGS

TWO-PIECE HEX NUT FITTING, LONG

Pressure: 345-1000 bar*
Ferrule Material: PEEK, SS316L
Nut Material: SS316L
Thread: UNF 10-32
O.D. through: 1/16"
Wrench size: 6



| Part number | Description | Packaging |
|-------------|---|-----------|
| VHF-0118 | 10-32 long hex nut (6mm) fitting for 1/16" tubing, SS | 10/pk |

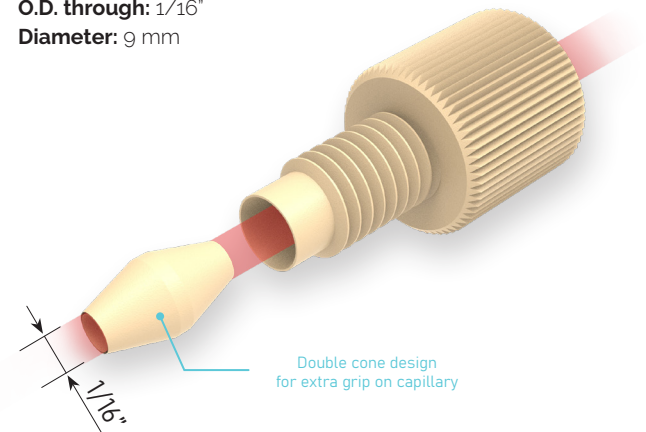
*Replacement ferrules:

| Part number | Description | Packaging |
|-------------|---|-----------|
| VHF-0114 | ferrule for 10-32 fingertight fittings (for 1/16" tubing), PEEK | 10/pk |
| VHF-0116 | ferrule for 10-32 fittings (for 1/16" tubing), SS | 10/pk |

10-32 THREADED FITTINGS

FINGERTIGHT FITTING WITH DOUBLE SIDED FERRULE

Pressure: 345-600 bar*
Ferrule Material: PEEK, PEEKC, Zx410
Nut Material: PEEK, PEEKC, POM (Acetal), Zx410
Thread: UNF 10-32
O.D. through: 1/16"
Diameter: 9 mm



| Part number | Description | Packaging |
|-------------|--|-----------|
| VHF-0200 | 10-32 invert fingertight fitting for 1/16" tubing, PEEK | 10/pk |
| VHF-0202 | 10-32 invert fingertight fitting for 1/16" tubing, PEEKC | 10/pk |
| VHF-0204 | 10-32 invert fingertight fitting for 1/16" tubing, Zx410 | 10/pk |
| VHF-0206 | 10-32 invert fingertight fitting for 1/16" tubing, POM red | 10/pk |
| VHF-0208 | 10-32 invert fingertight fitting for 1/16" tubing, POM blue | 10/pk |
| VHF-0210 | 10-32 invert fingertight fitting for 1/16" tubing, POM black | 10/pk |
| VHF-0212 | 10-32 invert fingertight fitting for 1/16" tubing, POM white | 10/pk |

*Replacement ferrules:

| Part number | Description | Packaging |
|-------------|---|-----------|
| VHF-0214 | Double sided ferrule for invert fingertight fittings, PEEK | 10/pk |
| VHF-0215 | Double sided ferrule for invert fingertight fittings, PEEKC | 10/pk |
| VHF-0216 | Double sided ferrule for invert fingertight fittings, Zx410 | 10/pk |

10-32 THREADED FITTINGS

WIDE FINGERTIGHT FITTING WITH DOUBLE SIDED FERRULE

Pressure: 345-600 bar*

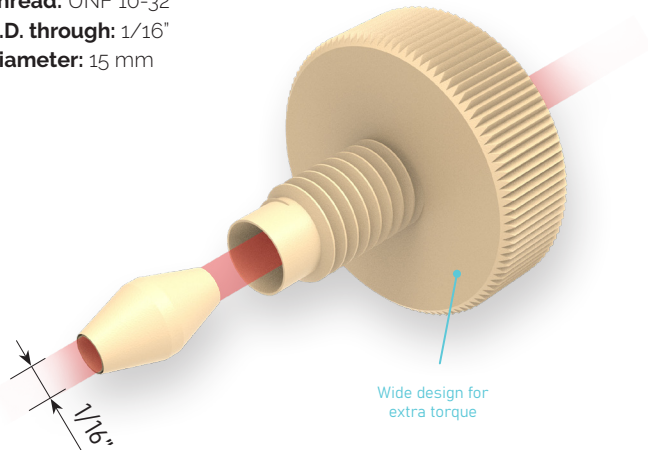
Ferrule Material: PEEK, PEEKC, Zx410

Nut Material: PEEK, PEEKC, POM (Acetal), Zx410

Thread: UNF 10-32

O.D. through: 1/16"

Diameter: 15 mm



| Part number | Description | Packaging |
|-------------|---|-----------|
| VHF-0201 | 10-32 wide invert fingertight fitting for 1/16" tubing, PEEK | 10/pk |
| VHF-0203 | 10-32 wide invert fingertight fitting for 1/16" tubing, PEEKC | 10/pk |
| VHF-0205 | 10-32 wide invert fingertight fitting for 1/16" tubing, Zx410 | 10/pk |
| VHF-0207 | 10-32 wide invert fingertight fitting for 1/16" tubing, POM red | 10/pk |
| VHF-0209 | 10-32 wide invert fingertight fitting for 1/16" tubing, POM blue | 10/pk |
| VHF-0211 | 10-32 wide invert fingertight fitting for 1/16" tubing, POM black | 10/pk |
| VHF-0213 | 10-32 wide invert fingertight fitting for 1/16" tubing, POM white | 10/pk |

*Replacement ferrules:

| Part number | Description | Packaging |
|-------------|---|-----------|
| VHF-0214 | Double sided ferrule for invert fingertight fittings, PEEK | 10/pk |
| VHF-0215 | Double sided ferrule for invert fingertight fittings, PEEKC | 10/pk |
| VHF-0216 | Double sided ferrule for invert fingertight fittings, Zx410 | 10/pk |

10-32 THREADED FITTINGS

FINGERTIGHT FITTING WITH DOUBLE SIDED FERRULE

Pressure: 345-600 bar*

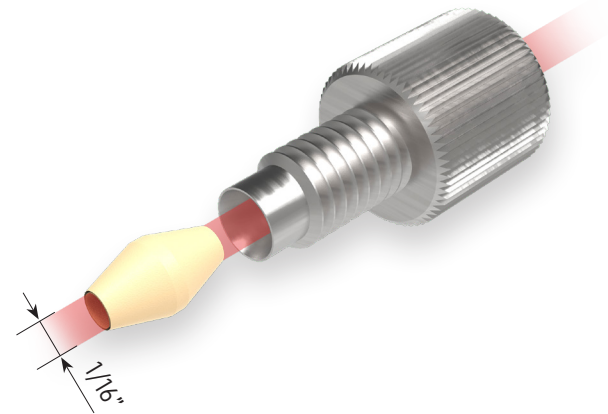
Ferrule Material: PEEK, PEEKC, Zx410

Nut Material: SS 316L

Thread: UNF 10-32

O.D. through: 1/16"

Diameter: 9 mm



| Part number | Description | Packaging |
|-------------|---|-----------|
| VHF-0218 | 10-32 invert fingertight fitting for 1/16" tubing, SS | 10/pk |

*Replacement ferrules:

| Part number | Description | Packaging |
|-------------|---|-----------|
| VHF-0214 | Double sided ferrule for invert fingertight fittings, PEEK | 10/pk |
| VHF-0215 | Double sided ferrule for invert fingertight fittings, PEEKC | 10/pk |
| VHF-0216 | Double sided ferrule for invert fingertight fittings, Zx410 | 10/pk |

HEX NUT FITTING WITH DOUBLE SIDED FERRULE

Pressure: 345-1000 bar*

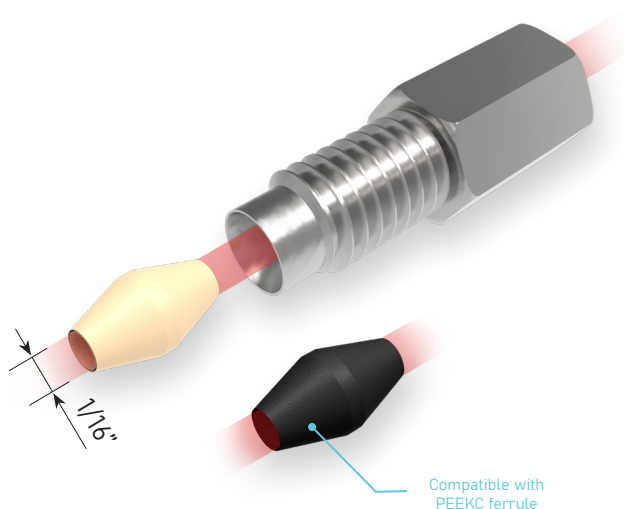
Ferrule Material: PEEK, PEEKC, Zx410, SS 316L

Nut Material: SS 316L

Thread: UNF 10-32

O.D. through: 1/16"

Wrench size: 6



| Part number | Description | Packaging |
|-------------|---|-----------|
| VHF-0219 | 10-32 invert hex nut (6mm) fitting for 1/16" tubing, SS | 10/pk |

*Replacement ferrules:

| Part number | Description | Packaging |
|-------------|---|-----------|
| VHF-0214 | Double sided ferrule for invert fingertight fittings, PEEK | 10/pk |
| VHF-0215 | Double sided ferrule for invert fingertight fittings, PEEKC | 10/pk |
| VHF-0216 | Double sided ferrule for invert fingertight fittings, Zx410 | 10/pk |
| VHF-0221 | Double sided long ferrule for invert fingertight fittings, SS | 10/pk |

FINGERTIGHT WIDE FITTING WITH DOUBLE SIDED FERRULE

Pressure: 345-600 bar*

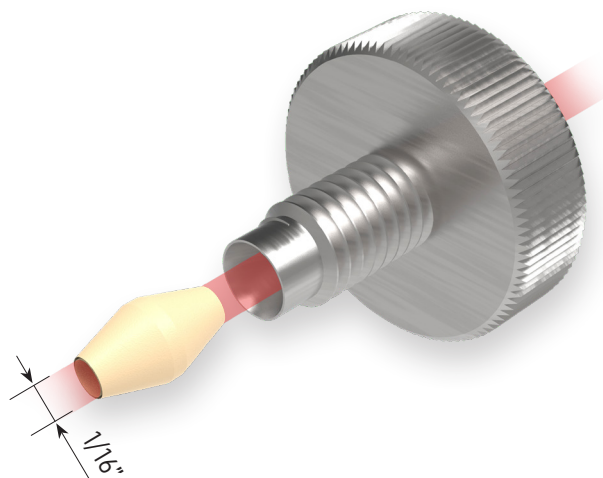
Ferrule Material: PEEK, PEEKC, Zx410

Nut Material: SS 316L

Thread: UNF 10-32

O.D. through: 1/16"

Diameter: 15 mm



| Part number | Description | Packaging |
|-------------|--|-----------|
| VHF-0220 | 10-32 invert wide fingertight fitting for 1/16" tubing, SS | 10/pk |

*Replacement ferrules:

| Part number | Description | Packaging |
|-------------|---|-----------|
| VHF-0214 | Double sided ferrule for invert fingertight fittings, PEEK | 10/pk |
| VHF-0215 | Double sided ferrule for invert fingertight fittings, PEEKC | 10/pk |
| VHF-0216 | Double sided ferrule for invert fingertight fittings, Zx410 | 10/pk |

X SECURE FINGERTIGHT FITTING, STANDARD

Pressure: 345-600 bar*

Ferrule Material: PEEK, PEEKC, Zx410

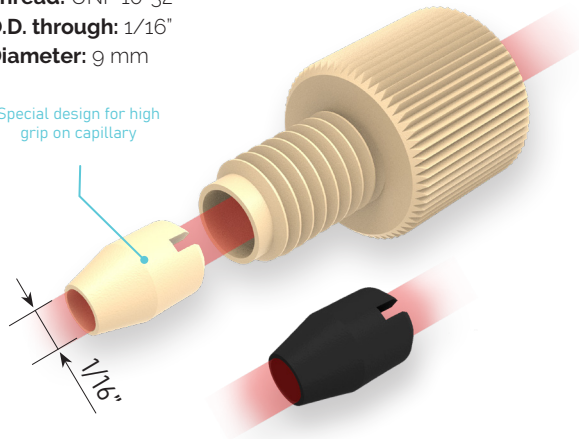
Nut Material: PEEK, PEEKC, POM (Acetal), Zx410

Thread: UNF 10-32

O.D. through: 1/16"

Diameter: 9 mm

Special design for high grip on capillary



| Part number | Description | Packaging |
|-------------|--|-----------|
| VHF-0300 | 10-32 x secure nut for 1/16" tubing, PEEK | 10/pk |
| VHF-0303 | 10-32 x secure nut for 1/16" tubing, PEEKC | 10/pk |
| VHF-0306 | 10-32 x secure nut for 1/16" tubing, Zx410 | 10/pk |
| VHF-0309 | 10-32 x secure nut for 1/16" tubing, POM red | 10/pk |
| VHF-0312 | 10-32 x secure nut for 1/16" tubing, POM blue | 10/pk |
| VHF-0315 | 10-32 x secure nut for 1/16" tubing, POM black | 10/pk |
| VHF-0318 | 10-32 x secure nut for 1/16" tubing, POM white | 10/pk |

*Replacement ferrules:

| Part number | Description | Packaging |
|-------------|-------------------------|-----------|
| VHF-0321 | X secure ferrule, PEEK | 10/pk |
| VHF-0322 | X secure ferrule, PEEKC | 10/pk |
| VHF-0323 | X secure ferrule, Zx410 | 10/pk |

X SECURE FINGERTIGHT FITTING, NARROW

Pressure: 345-600 bar*

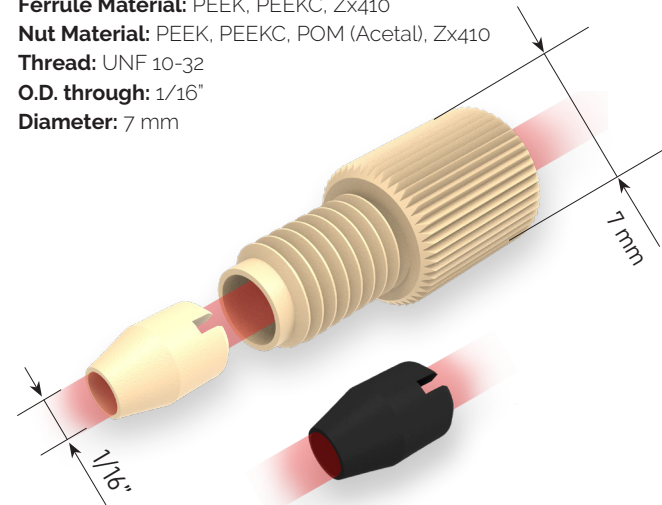
Ferrule Material: PEEK, PEEKC, Zx410

Nut Material: PEEK, PEEKC, POM (Acetal), Zx410

Thread: UNF 10-32

O.D. through: 1/16"

Diameter: 7 mm



| Part number | Description | Packaging |
|-------------|---|-----------|
| VHF-0301 | 10-32 narrow x secure nut for 1/16" tubing, PEEK | 10/pk |
| VHF-0304 | 10-32 narrow x secure nut for 1/16" tubing, PEEKC | 10/pk |
| VHF-0307 | 10-32 narrow x secure nut for 1/16" tubing, Zx410 | 10/pk |
| VHF-0310 | 10-32 narrow x secure nut for 1/16" tubing, POM red | 10/pk |
| VHF-0313 | 10-32 narrow x secure nut for 1/16" tubing, POM blue | 10/pk |
| VHF-0316 | 10-32 narrow x secure nut for 1/16" tubing, POM black | 10/pk |
| VHF-0319 | 10-32 narrow x secure nut for 1/16" tubing, POM white | 10/pk |

*Replacement ferrules:

| Part number | Description | Packaging |
|-------------|-------------------------|-----------|
| VHF-0321 | X secure ferrule, PEEK | 10/pk |
| VHF-0322 | X secure ferrule, PEEKC | 10/pk |
| VHF-0323 | X secure ferrule, Zx410 | 10/pk |

10-32 THREADED FITTINGS

X SECURE FINGERTIGHT FITTING, MICRO

Pressure: 345-600 bar*

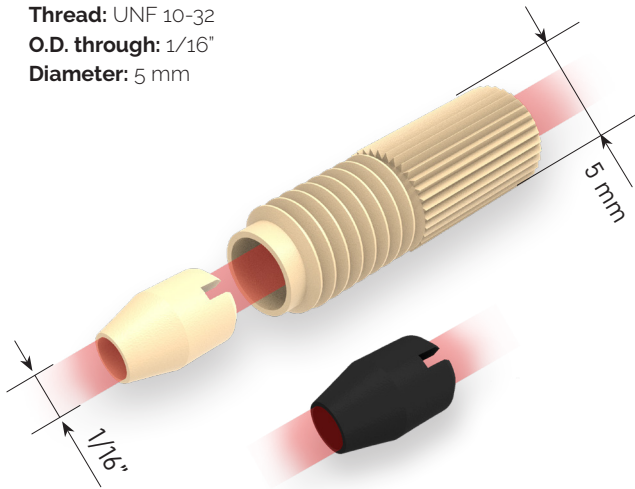
Ferrule Material: PEEK, PEEKC, Zx410

Nut Material: PEEK, PEEKC, POM (Acetal), Zx410

Thread: UNF 10-32

O.D. through: 1/16"

Diameter: 5 mm



| Part number | Description | Packaging |
|-------------|--|-----------|
| VHF-0302 | 10-32 micro x secure nut for 1/16" tubing, PEEK | 10/pk |
| VHF-0305 | 10-32 micro x secure nut for 1/16" tubing, PEEKC | 10/pk |
| VHF-0308 | 10-32 micro x secure nut for 1/16" tubing, Zx410 | 10/pk |
| VHF-0311 | 10-32 micro x secure nut for 1/16" tubing, POM red | 10/pk |
| VHF-0314 | 10-32 micro x secure nut for 1/16" tubing, POM blue | 10/pk |
| VHF-0317 | 10-32 micro x secure nut for 1/16" tubing, POM black | 10/pk |
| VHF-0320 | 10-32 micro x secure nut for 1/16" tubing, POM white | 10/pk |

*Replacement ferrules:

| Part number | Description | Packaging |
|-------------|-------------------------|-----------|
| VHF-0321 | X secure ferrule, PEEK | 10/pk |
| VHF-0322 | X secure ferrule, PEEKC | 10/pk |
| VHF-0323 | X secure ferrule, Zx410 | 10/pk |

10-32 THREADED FITTINGS

X SECURE FINGERTIGHT FITTING

Pressure: 345-600 bar*

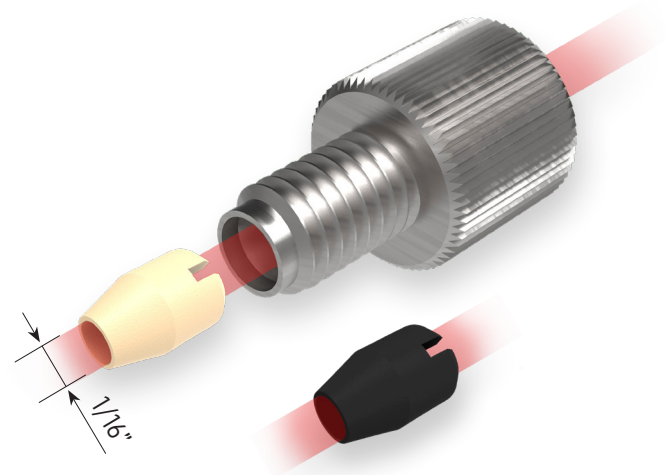
Ferrule Material: PEEK, PEEKC, Zx410

Nut Material: SS 316L

Thread: UNF 10-32

O.D. through: 1/16"

Diameter: 9 mm



| Part number | Description | Packaging |
|-------------|---|-----------|
| VHF-0324 | 10-32 x secure nut for 1/16" tubing, SS | 10/pk |

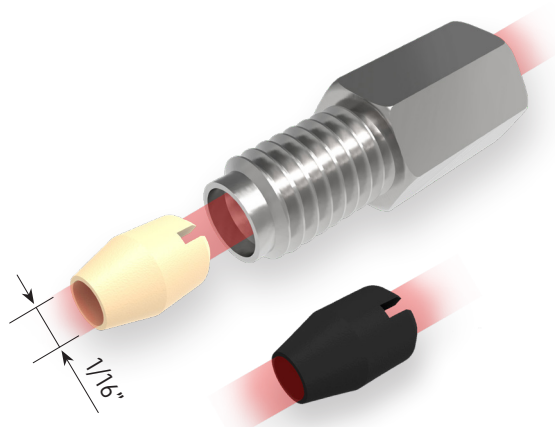
*Replacement ferrules:

| Part number | Description | Packaging |
|-------------|-------------------------|-----------|
| VHF-0321 | X secure ferrule, PEEK | 10/pk |
| VHF-0322 | X secure ferrule, PEEKC | 10/pk |
| VHF-0323 | X secure ferrule, Zx410 | 10/pk |

10-32 THREADED FITTINGS

X SECURE HEX NUT FITTING

Pressure: 345-600 bar*
Ferrule Material: PEEK, PEEKC, Zx410
Nut Material: SS 316L
Thread: UNF 10-32
O.D. through: 1/16"
Wrench size: 6



| Part number | Description | Packaging |
|-------------|---|-----------|
| VHF-0325 | 10-32 x secure hex nut (6mm) fitting for 1/16" tubing, SS | 10/pk |

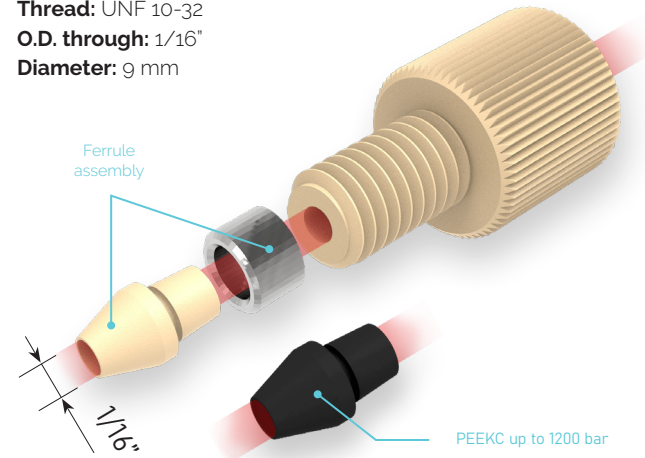
*Replacement ferrules:

| Part number | Description | Packaging |
|-------------|-------------------------|-----------|
| VHF-0321 | X secure ferrule, PEEK | 10/pk |
| VHF-0322 | X secure ferrule, PEEKC | 10/pk |
| VHF-0323 | X secure ferrule, Zx410 | 10/pk |

10-32 THREADED FITTINGS

ULTRA HIGH PRESSURE FINGERTIGHT FITTING

Pressure: 600-1200 bar*
Ferrule Material: PEEK, PEEKC, Zx410 + SS316L ring
Nut Material: PEEK, PEEKC, Zx410, POM (Acetal)
Thread: UNF 10-32
O.D. through: 1/16"
Diameter: 9 mm



| Part number | Description | Packaging |
|-------------|---|-----------|
| VHF-0400 | 10-32 high pressure fingertight nut for 1/16" tubing, PEEK | 10/pk |
| VHF-0401 | 10-32 high pressure fingertight nut for 1/16" tubing, PEEKC | 10/pk |
| VHF-0402 | 10-32 high pressure fingertight nut for 1/16" tubing, Zx410 | 10/pk |
| VHF-0403 | 10-32 high pressure fingertight nut for 1/16" tubing, POM red | 10/pk |
| VHF-0404 | 10-32 high pressure fingertight nut for 1/16" tubing, POM blue | 10/pk |
| VHF-0405 | 10-32 high pressure fingertight nut for 1/16" tubing, POM black | 10/pk |
| VHF-0406 | 10-32 high pressure fingertight nut for 1/16" tubing, POM white | 10/pk |

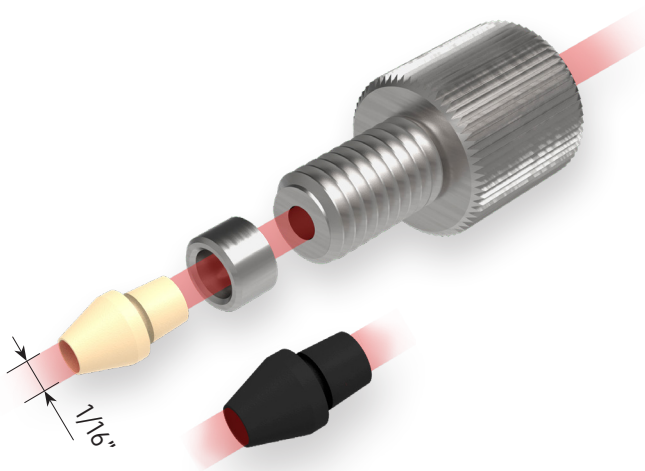
*Replacement ferrules:

| Part number | Description | Packaging |
|-------------|---|-----------|
| VHF-0407 | Ferrule for high pressure fitting, PEEK with SS ring | 10/pk |
| VHF-0408 | Ferrule for high pressure fitting, PEEKC with SS ring | 10/pk |
| VHF-0409 | Ferrule for high pressure fitting, Zx410 with SS ring | 10/pk |

10-32 THREADED FITTINGS

ULTRA HIGH PRESSURE FINGERTIGHT FITTING

Pressure: 600-1200 bar*
Ferrule Material: PEEK, PEEKC, Zx410 +SS316L ring
Nut Material: SS 316L
Thread: UNF 10-32
O.D. through: 1/16"
Diameter: 9 mm



| Part number | Description | Packaging |
|-------------|--|-----------|
| VHF-0410 | 10-32 high pressure fingertight nut for 1/16" tubing, SS | 10/pk |

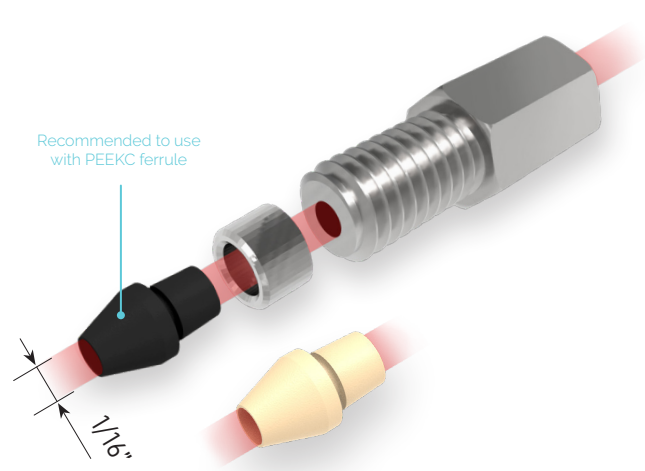
*Replacement ferrules:

| Part number | Description | Packaging |
|-------------|---|-----------|
| VHF-0407 | Ferrule for high pressure fitting, PEEK with SS ring | 10/pk |
| VHF-0408 | Ferrule for high pressure fitting, PEEKC with SS ring | 10/pk |
| VHF-0409 | Ferrule for high pressure fitting, Zx410 with SS ring | 10/pk |

10-32 THREADED FITTINGS

ULTRA HIGH PRESSURE HEX NUT FITTING

Pressure: 600-1200 bar*
Ferrule Material: PEEK, PEEKC, Zx410 +SS316L ring
Nut Material: SS 316L
Thread: UNF 10-32
O.D. through: 1/16"
Wrench size: 6



| Part number | Description | Packaging |
|-------------|---|-----------|
| VHF-0411 | 10-32 high pressure hex nut (6mm) fitting for 1/16" tubing, SS | 10/pk |
| VHF-0413 | 10-32 long high pressure hex nut (6mm) fitting for 1/16" tubing, SS | 10/pk |

*Replacement ferrules:

| Part number | Description | Packaging |
|-------------|--|-----------|
| VHF-0407 | Ferrule for high pressure fitting, PEEK with SS ring | 10/pk |
| VHF-0408 | Ferrule for high pressure fitting, PEEKC with SS ring | 10/pk |
| VHF-0409 | Ferrule for high pressure fitting, Zx410 with SS ring | 10/pk |
| VHF-0412 | One piece ferrule for 10-32 high pressure fittings, SS | 10/pk |

10-32 THREADED FITTINGS

DOUBLE ANGLED FINGERTIGHT FITTING

Pressure: 400-600 bar*

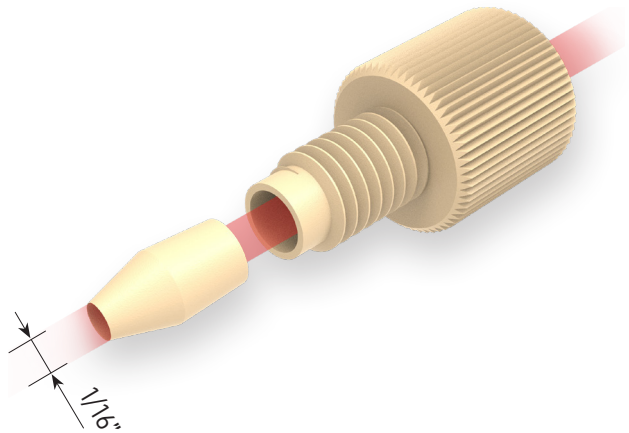
Ferrule Material: PEEK, PEEKC, Zx410

Nut Material: PEEK, PEEKC, POM (Acetal), Zx410

Thread: UNF 10-32

O.D. through: 1/16"

Diameter: 9 mm



| Part number | Description | Packaging |
|-------------|-----------------------------------|-----------|
| VHF-0500 | 10-32 fingertight body, PEEK | 10/pk |
| VHF-0501 | 10-32 fingertight body, PEEKC | 10/pk |
| VHF-0502 | 10-32 fingertight body, Zx410 | 10/pk |
| VHF-0503 | 10-32 fingertight body, POM red | 10/pk |
| VHF-0504 | 10-32 fingertight body, POM blue | 10/pk |
| VHF-0505 | 10-32 fingertight body, POM black | 10/pk |
| VHF-0506 | 10-32 fingertight body, POM white | 10/pk |

*Replacement ferrules:

| Part number | Description | Packaging |
|-------------|-----------------------------------|-----------|
| VHF-0507 | Inlet for fingertight body, PEEK | 10/pk |
| VHF-0508 | Inlet for fingertight body, PEEKC | 10/pk |
| VHF-0509 | Inlet for fingertight body, Zx410 | 10/pk |

10-32 THREADED FITTINGS

DOUBLE ANGLED FINGERTIGHT FITTING

Pressure: 400-600 bar*

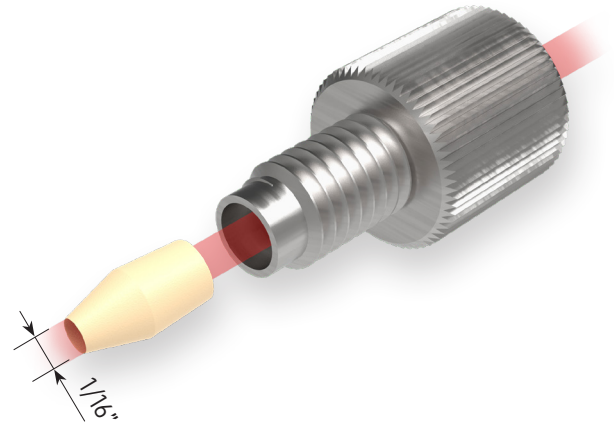
Ferrule Material: PEEK, PEEKC, Zx410

Nut Material: SS 316L

Thread: UNF 10-32

O.D. through: 1/16"

Diameter: 9 mm



| Part number | Description | Packaging |
|-------------|----------------------------|-----------|
| VHF-0510 | 10-32 fingertight body, SS | 10/pk |

*Replacement ferrules:

| Part number | Description | Packaging |
|-------------|-----------------------------------|-----------|
| VHF-0507 | Inlet for fingertight body, PEEK | 10/pk |
| VHF-0508 | Inlet for fingertight body, PEEKC | 10/pk |
| VHF-0509 | Inlet for fingertight body, Zx410 | 10/pk |

10-32 THREADED FITTINGS

DOUBLE ANGLED HEX NUT FITTING

Pressure: 400-600 bar*

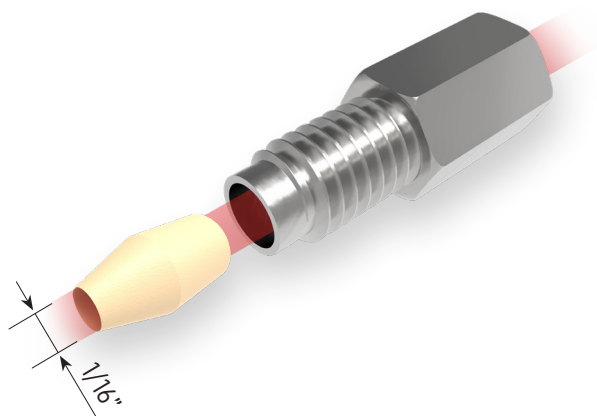
Ferrule Material: PEEK, PEEKC, Zx410

Nut Material: SS 316L

Thread: UNF 10-32

O.D. through: 1/16"

Wrench size: 6



| Part number | Description | Packaging |
|-------------|------------------------------|-----------|
| VHF-0511 | 10-32 hex nut (6mm) body, SS | 10/pk |

*Replacement ferrules:

| Part number | Description | Packaging |
|-------------|-----------------------------------|-----------|
| VHF-0507 | Inlet for fingertight body, PEEK | 10/pk |
| VHF-0508 | Inlet for fingertight body, PEEKC | 10/pk |
| VHF-0509 | Inlet for fingertight body, Zx410 | 10/pk |

1/4"-28 THREADED FITTINGS

FLANGLASS FITTING

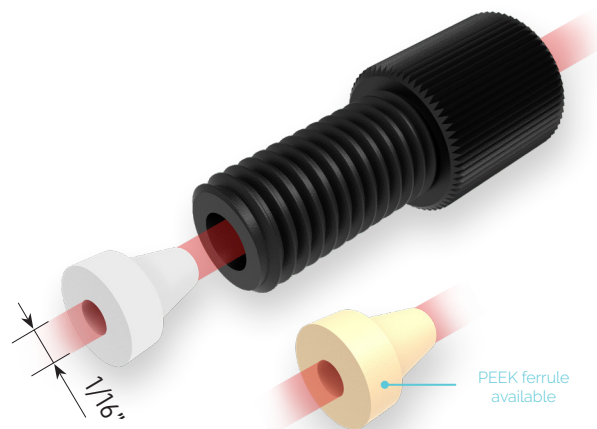
Pressure: 35-100 bar

Ferrule Material: PTFE, PEEK

Nut Material: POM (Acetal), PEEK, PEEKC, Zx410

O.D. through: 1/16"

Diameter: 9 mm



| Part number | Description | Packaging |
|-------------|--|-----------|
| VHF-0600 | 1/4-28" flangeless nut for 1/16" tubing, PEEK | 10/pk |
| VHF-0601 | 1/4-28" flangeless nut for 1/16" tubing, PEEKC | 10/pk |
| VHF-0602 | 1/4-28" flangeless nut for 1/16" tubing, Zx410 | 10/pk |
| VHF-0603 | 1/4-28" flangeless nut for 1/16" tubing, POM red | 10/pk |
| VHF-0604 | 1/4-28" flangeless nut for 1/16" tubing, POM blue | 10/pk |
| VHF-0605 | 1/4-28" flangeless nut for 1/16" tubing, POM black | 10/pk |
| VHF-0606 | 1/4-28" flangeless nut for 1/16" tubing, POM white | 10/pk |

Replacement ferrules:

| Part number | Description | Packaging |
|-------------|---------------------------------------|-----------|
| VHF-0607 | Ferrule for flangeless fittings, PTFE | 10/pk |
| VHF-0608 | Ferrule for flangeless fittings, PEEK | 10/pk |

1/4"-28 THREADED FITTINGS

FLANGLess FITTING

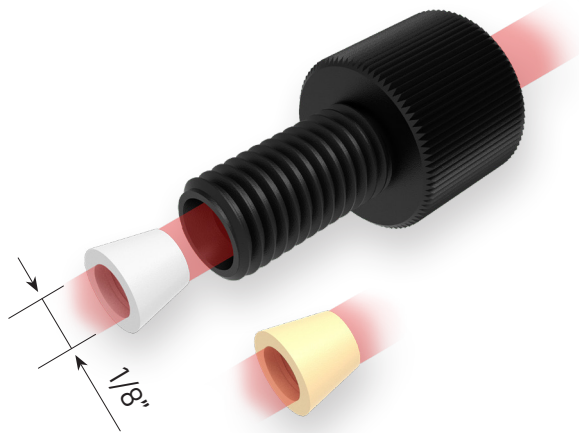
Pressure: 35-100 bar

Ferrule Material: PTFE, PEEK

Nut Material: POM (Acetal), PEEK, PEEKC, Zx410

O.D. through: 1/8"

Diameter: 12 mm



| Part number | Description | Packaging |
|-------------|---|-----------|
| VHF-0700 | 1/4-28" flangeless nut for 1/8" tubing, PEEK | 10/pk |
| VHF-0701 | 1/4-28" flangeless nut for 1/8" tubing, PEEKC | 10/pk |
| VHF-0702 | 1/4-28" flangeless nut for 1/8" tubing, Zx410 | 10/pk |
| VHF-0703 | 1/4-28" flangeless nut for 1/8" tubing, POM red | 10/pk |
| VHF-0704 | 1/4-28" flangeless nut for 1/8" tubing, POM blue | 10/pk |
| VHF-0705 | 1/4-28" flangeless nut for 1/8" tubing, POM black | 10/pk |
| VHF-0706 | 1/4-28" flangeless nut for 1/8" tubing, POM white | 10/pk |

Replacement ferrules:

| Part number | Description | Packaging |
|-------------|---------------------------------------|-----------|
| VHF-0707 | Ferrule for flangeless fittings, PTFE | 10/pk |
| VHF-0708 | Ferrule for flangeless fittings, PEEK | 10/pk |

1/4"-28 THREADED FITTINGS

HIGH PRESSURE FLANGLess FITTING

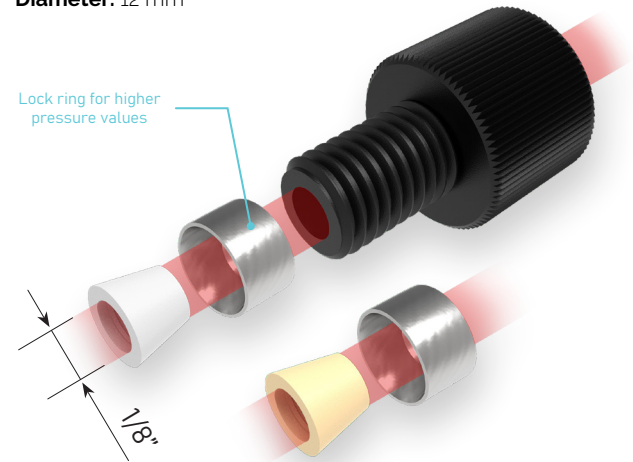
Pressure: 150 bar

Ferrule Material: PTFE, PEEK

Nut Material: POM (Acetal), PEEK, PEEKC, Zx410

O.D. through: 1/8"

Diameter: 12 mm



| Part number | Description | Packaging |
|-------------|---|-----------|
| VHF-0800 | 1/4-28" high pressure flangeless nut for 1/8" tubing, PEEK | 10/pk |
| VHF-0801 | 1/4-28" high pressure flangeless nut for 1/8" tubing, PEEKC | 10/pk |
| VHF-0802 | 1/4-28" high pressure flangeless nut for 1/8" tubing, Zx410 | 10/pk |
| VHF-0803 | 1/4-28" high pressure flangeless nut for 1/8" tubing, POM red | 10/pk |
| VHF-0804 | 1/4-28" high pressure flangeless nut for 1/8" tubing, POM blue | 10/pk |
| VHF-0805 | 1/4-28" high pressure flangeless nut for 1/8" tubing, POM black | 10/pk |
| VHF-0806 | 1/4-28" high pressure flangeless nut for 1/8" tubing, POM white | 10/pk |

Replacement ferrules:

| Part number | Description | Packaging |
|-------------|--|-----------|
| VHF-0807 | Ferrule for flangeless fittings, PTFE with SS ring | 10/pk |
| VHF-0808 | Ferrule for flangeless fittings, PEEK with SS ring | 10/pk |

5/16"-24 THREADED FITTINGS

FLANGLASS FITTING

Pressure: 100-345 bar

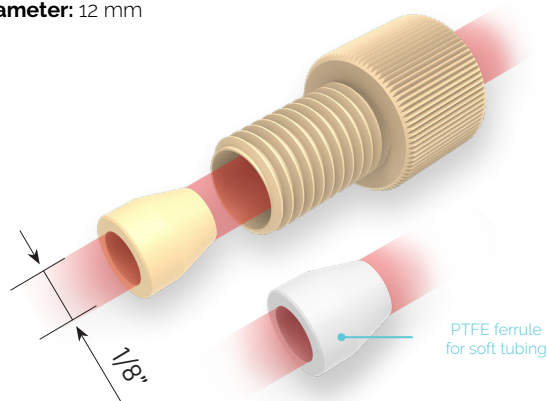
Ferrule Material: PTFE, PEEK

Nut Material: POM (Acetal), PEEK, PEEKC, Zx410

Thread: UNF 5/16"

O.D. through: 1/8"

Diameter: 12 mm



| Part number | Description | Packaging |
|-------------|---|-----------|
| VHF-0900 | 5/16"-24" flangeless nut for 1/8" tubing, PEEK | 10/pk |
| VHF-0901 | 5/16"-24" flangeless nut for 1/8" tubing, PEEKC | 10/pk |
| VHF-0902 | 5/16"-24" flangeless nut for 1/8" tubing, Zx410 | 10/pk |
| VHF-0903 | 5/16"-24" flangeless nut for 1/8" tubing, POM red | 10/pk |
| VHF-0904 | 5/16"-24" flangeless nut for 1/8" tubing, POM blue | 10/pk |
| VHF-0905 | 5/16"-24" flangeless nut for 1/8" tubing, POM black | 10/pk |
| VHF-0906 | 5/16"-24" flangeless nut for 1/8" tubing, POM white | 10/pk |

Replacement ferrules:

| Part number | Description | Packaging |
|-------------|---------------------------------------|-----------|
| VHF-0907 | Ferrule for flangeless fittings, PTFE | 10/pk |
| VHF-0908 | Ferrule for flangeless fittings, PEEK | 10/pk |

5/16"-24 THREADED FITTINGS

FINGERTIGHT FITTING, STANDARD

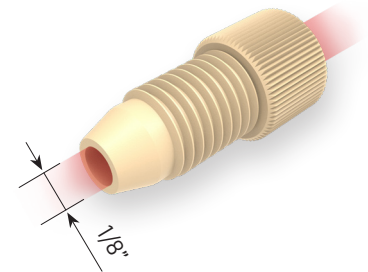
Pressure: 150 bar

Material: PEEK

Thread: UNF 5/16"

O.D. through: 1/8"

Diameter: 10 mm



| Part number | Description | Packaging |
|-------------|--|-----------|
| VHF-0909 | 5/16"-24 fingertight fitting for 1/8" tubing, PEEK | 10/pk |

TWO-PIECE FINGERTIGHT FITTING

Pressure: 150 bar

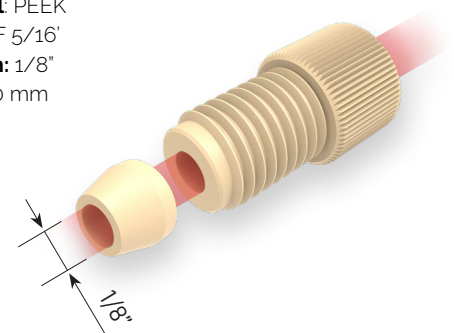
Ferrule Material: PEEK

Nut Material: PEEK

Thread: UNF 5/16"

O.D. through: 1/8"

Diameter: 10 mm



| Part number | Description | Packaging |
|-------------|--|-----------|
| VHF-0910 | 5/16"-24 fingertight nut for 1/8" tubing, PEEK | 10/pk |

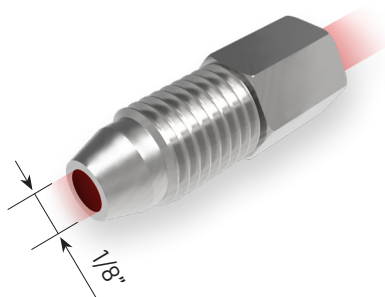
Replacement ferrules:

| Part number | Description | Packaging |
|-------------|---|-----------|
| VHF-0911 | ferrule for 5/16"-24 fingertight fittings (for 1/8" tubing), PEEK | 10/pk |

5/16"-24 THREADED FITTINGS

HEX NUT FITTING, STANDARD

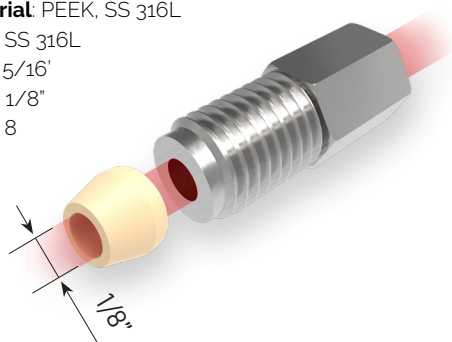
Pressure: 400bar
Material: SS 316L
Thread: UNF 5/16"
O.D. through: 1/8"
Wrench size: 8



| Part number | Description | Packaging |
|-------------|--|-----------|
| VHF-0912 | 5/16"-24 hex nut (8mm) fitting for 1/8" tubing, SS | 10/pk |

TWO-PIECE HEX NUT FITTING, STANDARD

Pressure: 345bar
Ferrule Material: PEEK, SS 316L
Nut Material: SS 316L
Thread: UNF 5/16"
O.D. through: 1/8"
Wrench size: 8



| Part number | Description | Packaging |
|-------------|--|-----------|
| VHF-0913 | 5/16"-24 two-piece hex nut (8mm) fitting for 1/8" tubing, SS | 10/pk |

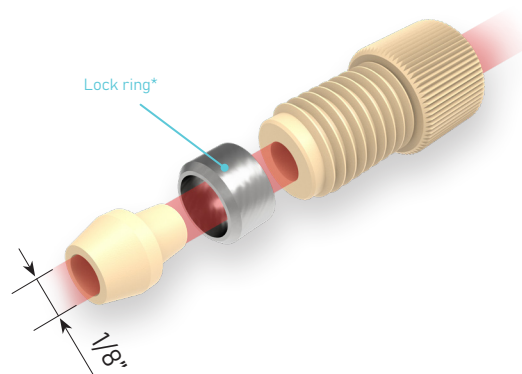
Replacement ferrules:

| Part number | Description | Packaging |
|-------------|---|-----------|
| VHF-0911 | ferrule for 5/16"-24 fingertight fittings (for 1/8" tubing), PEEK | 10/pk |
| VHF-0914 | ferrule for 5/16"-24 fittings (for 1/8" tubing), SS | 10/pk |

5/16"-24 THREADED FITTINGS

HIGH PRESSURE FINGERTIGHT FITTING, WITH LOCK RING

Pressure: 500 bar
Ferrule Material: PEEK + SS 316L ring
Nut Material: PEEK, SS 316L
Thread: UNF 5/16"
O.D. through: 1/8"
Diameter: 10 mm



| Part number | Description | Packaging |
|-------------|--|-----------|
| VHF-0910 | 5/16"-24 fingertight nut for 1/8" tubing, PEEK | 10/pk |
| VHF-0913 | 5/16"-24 hex nut (8mm) fitting for 1/8" tubing, SS | 10/pk |

Replacement ferrules:

| Part number | Description | Packaging |
|-------------|--|-----------|
| VHF-0915 | ferrule for 5/16"-24 fittings (for 1/8" tubing), PEEK with SS ring | 10/pk |

*Included in VHF-0915

LUER ADAPTERS

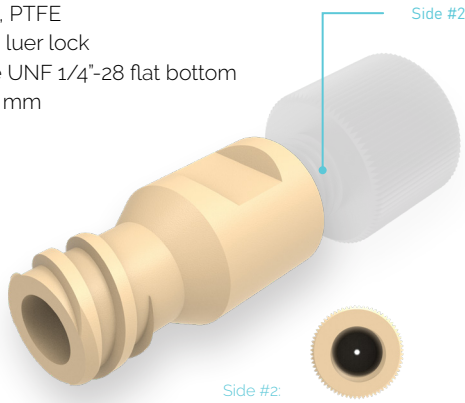
Pressure: N/A

Material: PEEK, PTFE

Side#1: female luer lock

Side#2: female UNF 1/4"-28 flat bottom

O.D. through: 1 mm



| Part number | Description | Packaging |
|-------------|--|-----------|
| VHF-1001 | Luer adapter, female luer lock to 1/4-28" female, PEEK | 1/pk |
| VHF-1002 | Luer adapter, female luer lock to 1/4-28" female, PTFE | 1/pk |

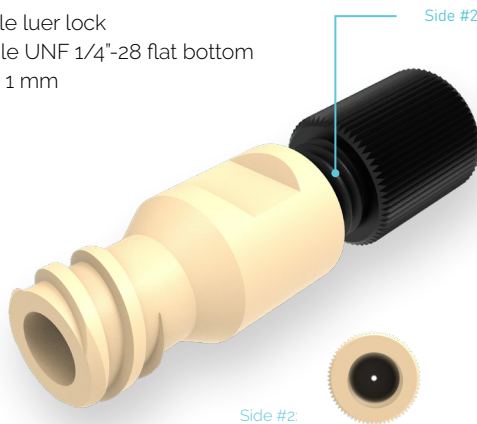
Pressure: N/A

Material: PEEK

Side#1: female luer lock

Side#2: female UNF 1/4"-28 flat bottom

O.D. through: 1 mm



| Part number | Description | Packaging |
|-------------|---|-----------|
| VHF-1003 | Luer adapter, female luer lock to 1/4-28" female, PEEK, including a flangeless fitting for 1/16" tubing | 1/pk |

LUER ADAPTERS

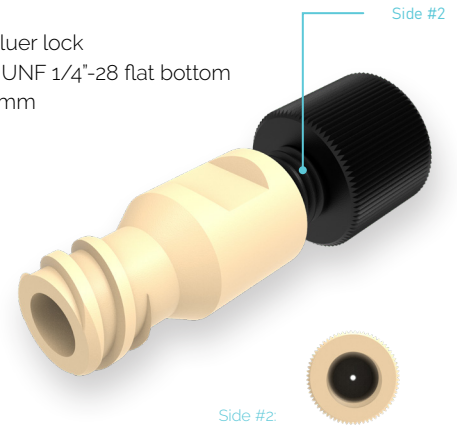
Pressure: N/A

Material: PEEK

Side#1: female luer lock

Side#2: female UNF 1/4"-28 flat bottom

O.D. through: 1 mm



| Part number | Description | Packaging |
|-------------|--|-----------|
| VHF-1004 | Luer adapter, female luer lock to 1/4-28" female, PEEK, including a flangeless fitting for 1/8" tubing | 1/pk |

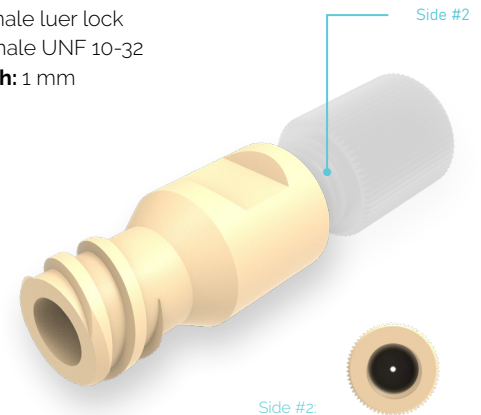
Pressure: N/A

Material: PEEK, Zx410

Side#1: female luer lock

Side#2: female UNF 10-32

O.D. through: 1 mm



| Part number | Description | Packaging |
|-------------|---|-----------|
| VHF-1005 | Luer adapter, female luer lock to 10-32 female, Zx410 | 1/pk |
| VHF-1006 | Luer adapter, female luer lock to 10-32 female, PEEK | 1/pk |

LUER ADAPTERS

Pressure: N/A

Material: PEEK

Side#1: male luer

Side#2: female UNF 1/4"-28 flat bottom

O.D. through: 0.5 mm



| Part number | Description | Packaging |
|-------------|---|-----------|
| VHF-1007 | Adapter, luer male - 1/4"-28 female, PEEK | 1/pk |

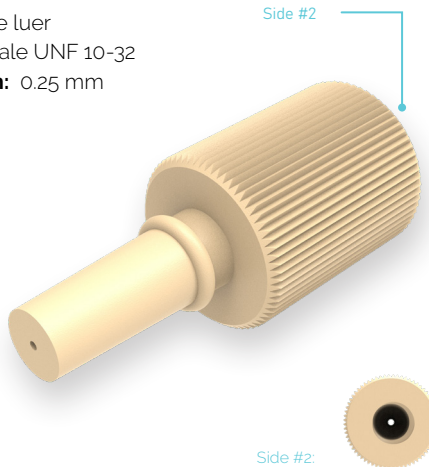
Pressure: N/A

Material: PEEK

Side#1: male luer

Side#2: female UNF 10-32

O.D. through: 0.25 mm



| Part number | Description | Packaging |
|-------------|---|-----------|
| VHF-1008 | Adapter, luer male - 10-32 female, PEEK | 1/pk |

LUER ADAPTERS

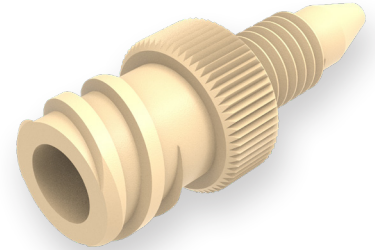
Pressure: N/A

Material: PEEK

Side#1: female luer lock

Side#2: male 10-32

O.D. through: 1.65 mm



| Part number | Description | Packaging |
|-------------|--|-----------|
| VHF-1009 | Luer adapter, female luer lock to 10-32 male, PEEK | 1/pk |

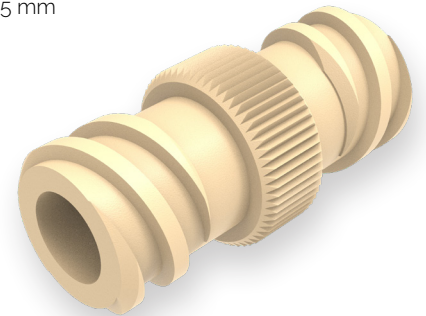
Pressure: N/A

Material: PEEK

Side#1: female luer lock

Side#2: female luer lock

O.D. through: 1.65 mm



| Part number | Description | Packaging |
|-------------|--|-----------|
| VHF-1010 | Luer union, female to female, lock, PEEK | 1/pk |

THREAD ADAPTERS

Pressure: 35bar

Material: PEEK

Side#1: male UNF 10-32

Side#2: female UNF 1/4"-28 flat bottom

O.D. through: 1 mm



| Part number | Description | Packaging |
|-------------|--|-----------|
| VHZ-004 | Adapter, 10-32 male - 1/4"-28 female, PEEK | 1/pk |

THREAD ADAPTERS

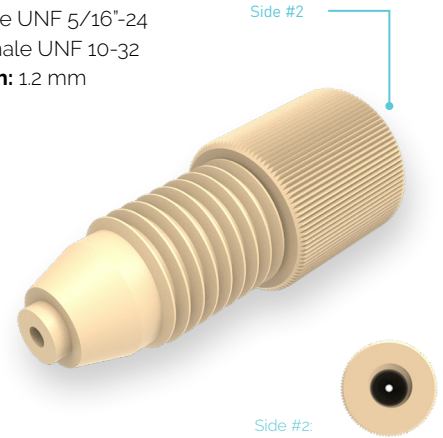
Pressure: 35bar

Material: PEEK

Side#1: male UNF 5/16"-24

Side#2: female UNF 10-32

O.D. through: 1.2 mm



| Part number | Description | Packaging |
|-------------|---|-----------|
| VHZ-007 | Adapter, 5/16"-24 male - 10-32 female, PEEK | 1/pk |

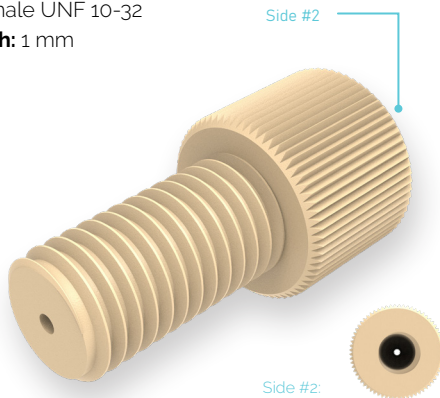
Pressure: 35bar

Material: PEEK

Side#1: male UNF 1/4"-28 flat bottom

Side#2: female UNF 10-32

O.D. through: 1 mm



| Part number | Description | Packaging |
|-------------|--|-----------|
| VHZ-005 | Adapter, 1/4"-28 male - 10-32 female, PEEK | 1/pk |

Pressure: 150bar

Material: SS 316L

Side#1: male UNF 5/16"-24

Side#2: female UNF 10-32

Wrench size: 8



| Part number | Description | Packaging |
|-------------|---|-----------|
| VHZ-013 | Adapter, 5/16"-24 male - 10-32 female, SS | 1/pk |

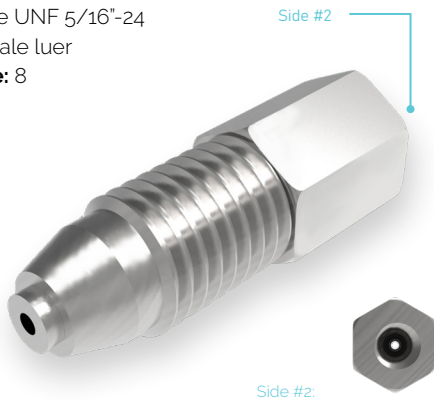
THREAD ADAPTERS

Pressure: 150bar
Material: SS 316L
Side#1: male UNF 5/16"-24
Side#2: female UNF 1/4"-28 flat bottom
Wrench size: 8



| Part number | Description | Packaging |
|-------------|---|-----------|
| VHZ-014 | Adapter, 5/16"-24 male - 1/4"-28 female, SS | 1/pk |

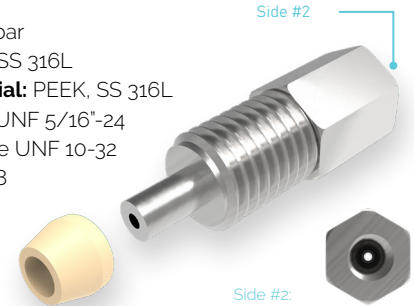
Pressure: 150bar
Material: SS 316L
Side#1: male UNF 5/16"-24
Side#2: female luer
Wrench size: 8



| Part number | Description | Packaging |
|-------------|--|-----------|
| VHZ-015 | Adapter, 5/16"-24 male - luer female, SS | 1/pk |

THREAD ADAPTERS

Pressure: 150bar
Nut Material: SS 316L
Ferrule Material: PEEK, SS 316L
Side#1: male UNF 5/16"-24
Side#2: female UNF 10-32
Wrench size: 8



| Part number | Description | Packaging |
|-------------|---|-----------|
| VHZ-016 | Adapter, 5/16"-24 male - 10-32 female, SS, with removable ferrule | 1/pk |

Replacement ferrules:

| Part number | Description | Packaging |
|-------------|---|-----------|
| VHF-0911 | ferrule for 5/16"-24 fingertight fittings (for 1/8" tubing), PEEK | 10/pk |
| VHF-0914 | ferrule for 5/16"-24 fittings (for 1/8" tubing), SS | 10/pk |

Pressure: 150bar
Nut Material: SS 316L
Ferrule Material: PEEK, SS 316L
Side#1: male UNF 5/16"-24
Side#2: female UNF 1/4"-28 flat bottom
Wrench size: 8



| Part number | Description | Packaging |
|-------------|---|-----------|
| VHZ-017 | Adapter, 5/16"-24 male - 1/4"-28 female, SS, with removable ferrule | 1/pk |

Replacement ferrules:

| Part number | Description | Packaging |
|-------------|---|-----------|
| VHF-0911 | ferrule for 5/16"-24 fingertight fittings (for 1/8" tubing), PEEK | 10/pk |
| VHF-0914 | ferrule for 5/16"-24 fittings (for 1/8" tubing), SS | 10/pk |

THREAD ADAPTERS

Pressure: 150bar

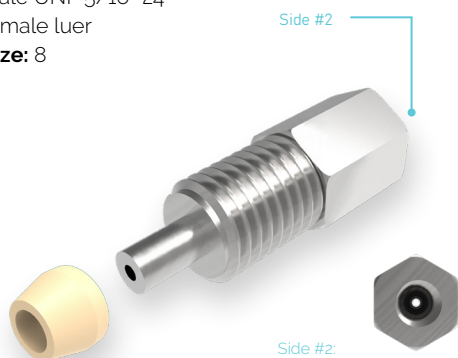
Nut Material: SS 316L

Ferrule Material: PEEK, SS 316L

Side#1: male UNF 5/16"-24

Side#2: female luer

Wrench size: 8



| Part number | Description | Packaging |
|-------------|--|-----------|
| VHZ-018 | Adapter, 5/16"-24 male - luer female, SS, with removable ferrule | 1/pk |

Replacement ferrules:

| Part number | Description | Packaging |
|-------------|---|-----------|
| VHF-0911 | ferrule for 5/16"-24 fingertight fittings (for 1/8" tubing), PEEK | 10/pk |
| VHF-0914 | ferrule for 5/16"-24 fittings (for 1/8" tubing), SS | 10/pk |

UNIONS

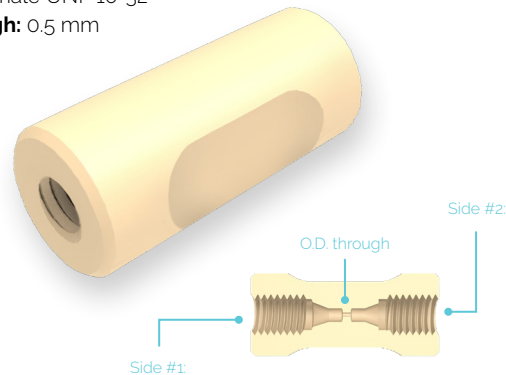
Pressure: 345bar

Material: PEEK

Side#1: female UNF 10-32

Side#2: female UNF 10-32

O.D. through: 0.5 mm



| Part number | Description | Packaging |
|-------------|-----------------------------|-----------|
| VHZ-001 | ZDV union for 1/16" tubings | 1/pk |

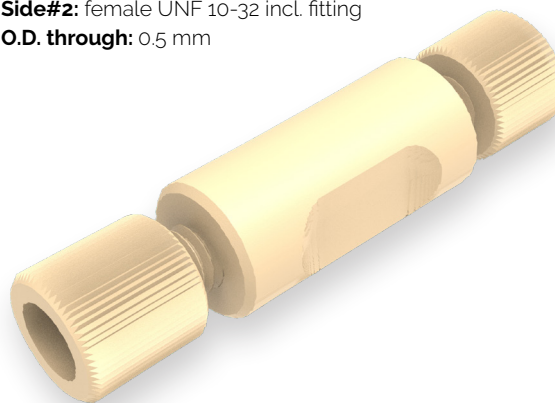
Pressure: 345bar

Material: PEEK

Side#1: female UNF 10-32 incl. fitting

Side#2: female UNF 10-32 incl. fitting

O.D. through: 0.5 mm



| Part number | Description | Packaging |
|-------------|--|-----------|
| VHZ-002 | ZDV union for 1/16" tubings, including 2 x 10-32 fingertight PEEK fitting for 1/16" tubing | 1/pk |

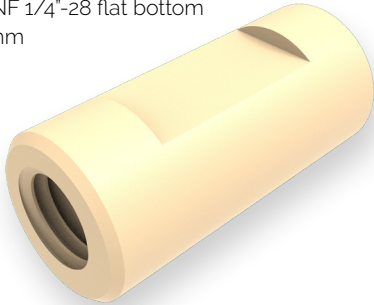
Pressure: 35-135bar

Material: PEEK, PTFE

Side#1: female UNF 1/4"-28 flat bottom

Side#2: female UNF 1/4"-28 flat bottom

O.D. through: 1.5 mm



| Part number | Description | Packaging |
|-------------|---|-----------|
| VHZ-003 | Standard union with 1/4"-28" female ports, PEEK | 1/pk |
| VHZ-006 | Standard union with 1/4"-28" female ports, PTFE | 1/pk |

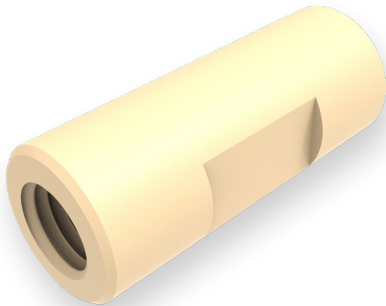
Pressure: 35-135bar

Material: PEEK, PTFE

Side#1: female UNF 5/16"-24

Side#2: female UNF 5/16"-24

O.D. through: 2.5 mm



| Part number | Description | Packaging |
|-------------|---|-----------|
| VHZ-008 | Standard union with 5/16"-24 female ports, PEEK | 1/pk |

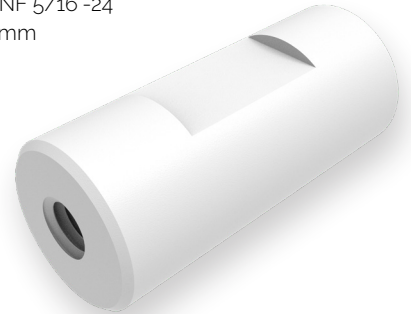
Pressure: 35bar

Material: PTFE

Side#1: female UNF 10-32

Side#2: female UNF 5/16"-24

O.D. through: 0.5 mm



| Part number | Description | Packaging |
|-------------|--|-----------|
| VHZ-009 | Standard union with 5/16"-24 female and 10-32 female ports, PTFE | 1/pk |

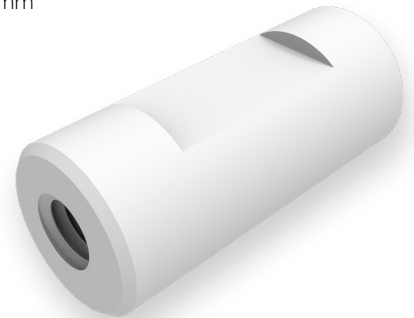
Pressure: 35bar

Material: PTFE

Side#1: female UNF 1/4"-28 flat bottom

Side#2: female UNF 10-32

O.D. through: 1.2 mm



| Part number | Description | Packaging |
|-------------|---|-----------|
| VHZ-010 | Standard union with 1/4"-28 female and 10-32 female ports, PTFE | 1/pk |

UNIONS

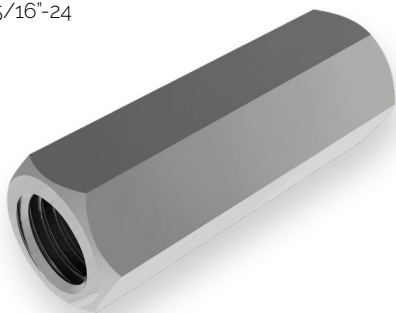
Pressure: 1000bar

Material: SS 316L

Side#1: female UNF 5/16"-24

Side#2: female UNF 5/16"-24

O.D. through: 2.5 mm



| Part number | Description | Packaging |
|-------------|---|-----------|
| VHZ-011 | Standard union with 5/16"-24 female ports, SS | 1/pk |

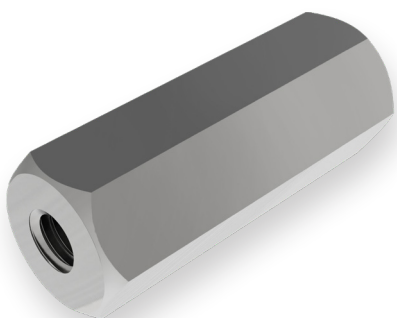
Pressure: 1000bar

Material: SS 316L

Side#1: female UNF 10-32

Side#2: female UNF 5/16"-24

O.D. through: 0.5 mm



| Part number | Description | Packaging |
|-------------|--|-----------|
| VHZ-012 | Standard union with 5/16"-24 female and 10-32 female ports, SS | 1/pk |

UNIONS, SEALING PLUGS

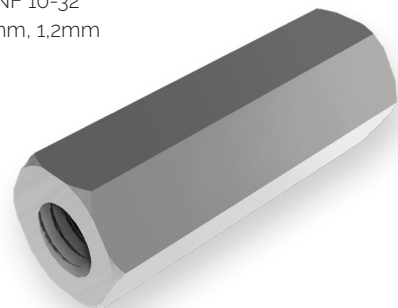
Pressure: 1000bar

Material: SS 316L

Side#1: female UNF 10-32

Side#2: female UNF 10-32

O.D. through: 0.5mm, 1.2mm

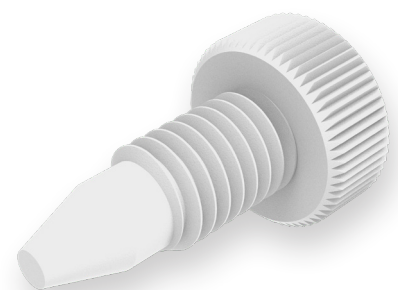


| Part number | Description | Packaging |
|-------------|---|-----------|
| VHZ-019 | ZDV union for 1/16" tubings with 1.2mm through hole, SS | 1/pk |
| VHZ-020 | ZDV union for 1/16" tubings with 0.5mm through hole, SS | 1/pk |

Pressure: N/A

Material: PTFE

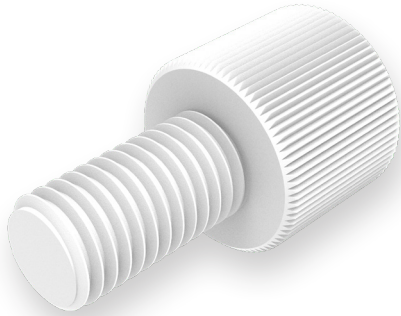
Thread: UNF 10-32



| Part number | Description | Packaging |
|-------------|---------------------------------|-----------|
| VHF-0112 | 10-32 column sealing plug, PTFE | 10/pk |

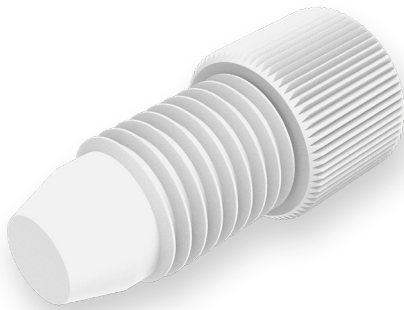
SEALING PLUGS

Pressure: N/A
Material: PTFE
Thread: UNF 1/4"-28 flat bottom



| Part number | Description | Packaging |
|-------------|---------------------------|-----------|
| VHF-0709 | 1/4"-28" blind plug, PTFE | 10/pk |

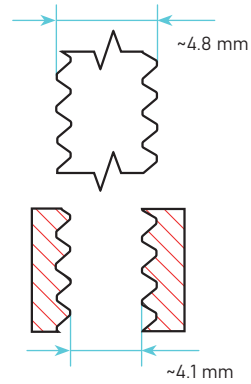
Pressure: N/A
Material: PTFE
Thread: UNF 5/16"-24



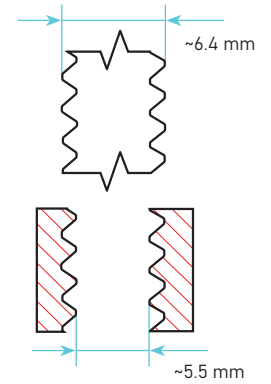
| Part number | Description | Packaging |
|-------------|----------------------------|-----------|
| VHF-0916 | 5/16"-24" blind plug, PTFE | 10/pk |

THREAD SIZE CHART

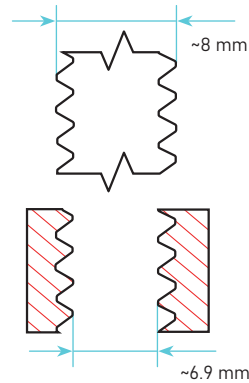
UNF 10-32



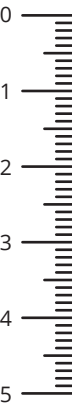
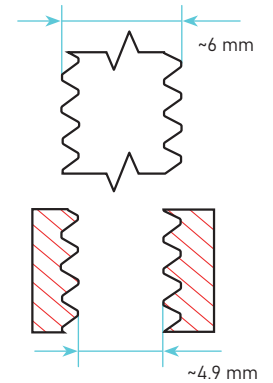
UNF 1/4"-28



5/16-24

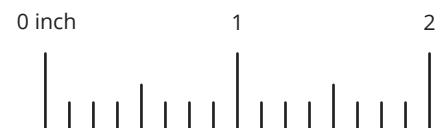


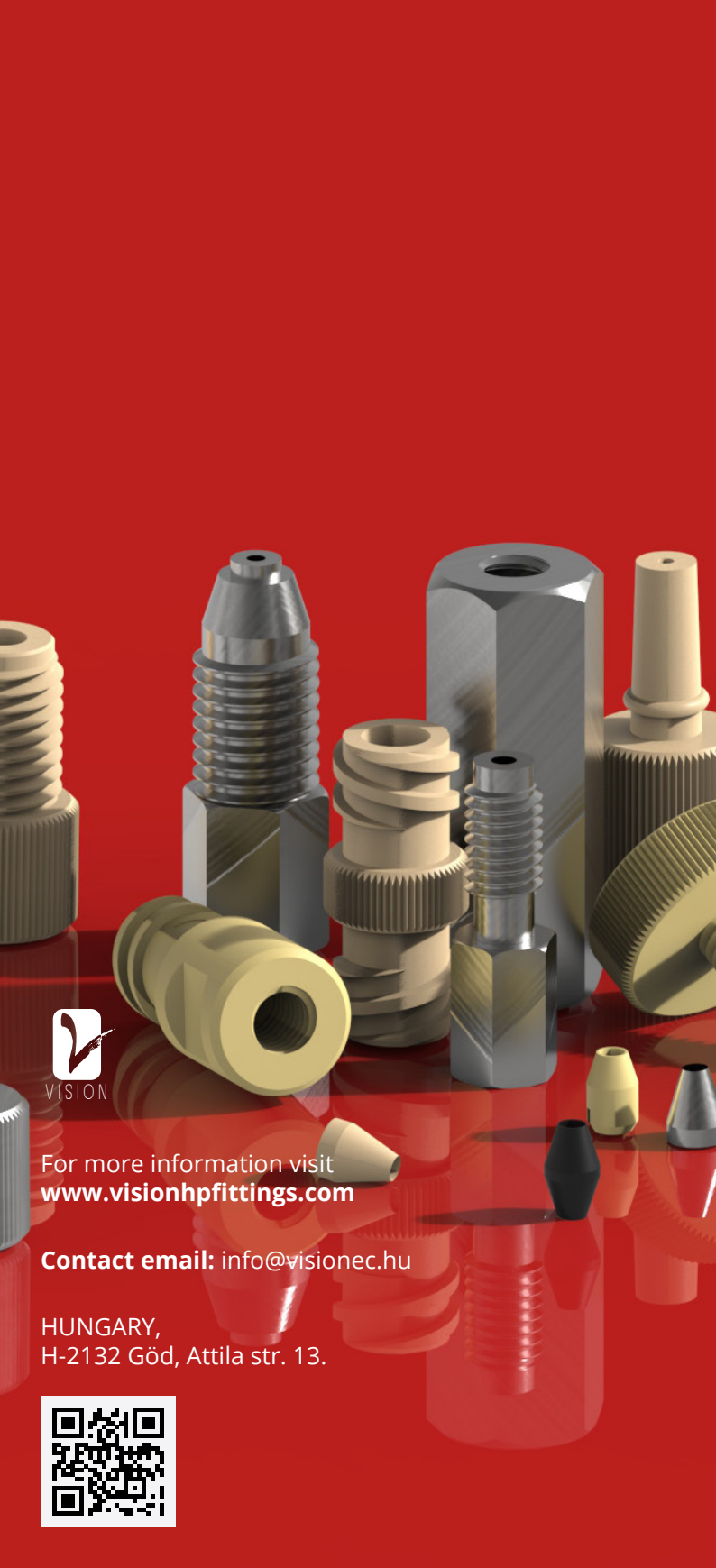
M6



Tubeing O. D. chart

| | | |
|--|-------|----------------|
| | 1/16" | 1.56 - 1.65 mm |
| | 1/8" | 3.1 - 3.2 mm |
| | 3/16" | 4.6 - 4.8 mm |





VISION

For more information visit
www.visionhpfittings.com

Contact email: info@visionec.hu

HUNGARY,
H-2132 Göd, Attila str. 13.

